

# PLATINUM HD2

## The power machine

Massive specifications



“ We have combined our Platinum system with the UVIpure innovative technology for the imaging of dyes such as SYBR Green and Sypro Ruby. Our image quality has been dramatically enhanced and signal sensitivity is now 25% better compared to a standard system. ”

### > Size matters - a bit of technology

#### • Unrivalled sensitivity

The Platinum sensor provides an unrivalled sensitivity for fluorescence and visible application. A CCD chip measures light intensity by collecting the photons on a silica collector. The bigger the collector the more light the camera collects and thus the more sensitive it is, the ultimate for fluorescence applications.

#### • 2 megapixels

Platinum high-resolution imaging enables the user to see more details on the gel and improves analysis accuracy. In contrast the low-resolution system contains less quantitative data.

#### • 16-bit

The Platinum 16-bit pixel depth ensures rich tonality thanks to its wide dynamic range.

### > The soft touch

#### • Make a point...

Highlight important features with text and symbols. Platinum helps you to annotate and illustrate your image. Save the text as a template and apply the same template to another image.

#### • Need to quantify or measure?

Just add a calibration marker for reference or measure the volumes to determine the quantity with our simple 1-2-3 approach.

#### • WYSIWYG: What you see is what you get

Our live preview mode ensures quick and easy sample positioning and fine focus.

#### • Set-up quickly

Start with a predefined set-up and then optimise it for your particular technique. Name it, save it and then recall it for the next time.

#### • Make it even better

Enhance your image with the extensive set of tools such as multicolorea channels, cropping & image additions.

### > Pick 'n' mix

The Platinum is available in a variety of models to fit your budget and application. Options include, for instance, a darkroom cabinet (advanced D77 or economical D56), a zoom lens (manual or motorised with autofocus option), epi-illumination modes (white light or UVA /UVC and white light) and transilluminator technology and size (UVI-Pure or standard, 20x20 or 21x26cm).



PLATINUM HD2 D77  
by Uvitec Cambridge

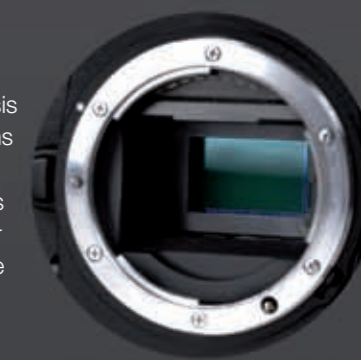


## A PLATINUM jewel

### > The WOW list

- Highest performance gel doc systems available
- 2 megapixels extendable to 7.6 megapixels
- Scientific CCD
- Massive 16-bit pixel depth (65 536 grey levels)
- Prominent pixel size
- Protocol driven image acquisition
- Auto-exposure
- Autofocus with motorised zoom option
- Focusing gauge for precise focusing
- Extreme sensitivity for the faintest fluorescence sample
- Dynamic range up to 4.8 orders of magnitude
- Scientific optics
- Patented UVI-Pure technology available
- Superb quality camera filter optimised for ethidium bromide
- 'One-touch' fully automated image acquisition programme
- Single or dual wavelength transilluminator
- Several epi-illumination options

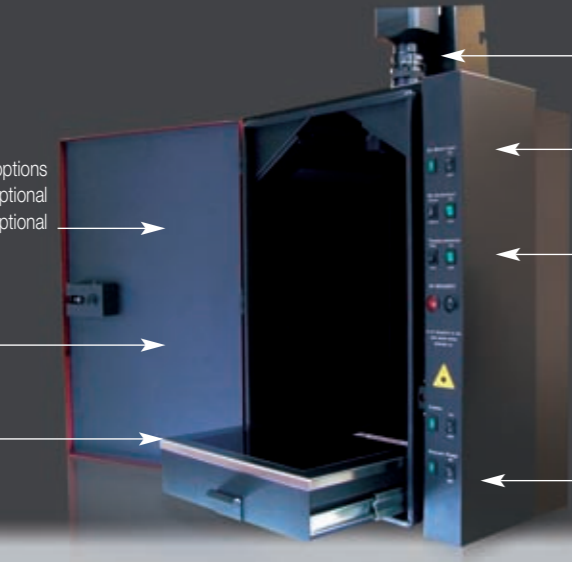
- Customise your own system with our wide variety of darkrooms and options
- Compact design
- Roll-out transilluminator
- Direct access to key functions
- Multi-user capability
- Good Laboratory Practice (GLP) file
- Protocol-driven image acquisition
- Inclusive of free Platinum 1D software for both image acquisition and analysis
- More than 90 functions
- Publishing & image enhancement features
- Advanced UViband or UVibandmap software available
- Bio-fluorescence and multiplexing ready



Razor sharp imaging

# GELDOC - FLUORESCENCE

## D77 cabinet Anatomical discovery



Choice of 12 illumination options  
Bio-fluorescence and multiplexing ready – optional  
Epi-Bright Multi-wavelength source – optional

Smart control panel with UV security option

Say no to plastic  
Steel and stainless steel darkroom  
Epoxy-painted for chemical resistance

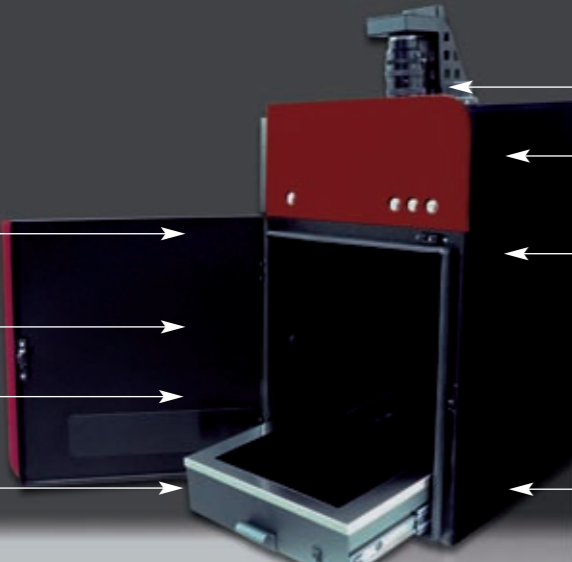
Manual or motorised zoom lens options  
Patented focusing assistant  
Autofocus mode for the motorised zoom lens option

Multi-position filter wheel to cover virtually all applications

Dual white light epi (fluorescent tube)  
Optional dual UV epi 254 & 365nm

Roll-out transilluminator  
UVI-Pure option  
UV security timer  
Single (312nm) or dual wavelength (312 & 365nm) for preparative work  
White light / Blue light conversion screen available

## D56 cabinet Anatomical discovery



Smart control panel with UV security option

Say no to plastic  
Steel and stainless steel darkroom  
Epoxy-painted for chemical resistance

Full imaging grade darkroom  
Complete black imaging body

Complete black imaging body

Manual or motorised zoom lens options  
Patented focusing assistant  
Autofocus mode for the motorised zoom lens option

Multi-position filter slide

White light epi (fluorescent tube)

Roll-out transilluminator  
UVI-Pure option  
UV security timer  
Single (312nm) or dual wavelength (312 & 365nm) for preparative work  
White light / Blue light conversion screen available



	<b>PLATINUM HD2</b> THE POWER MACHINE	<b>FIREREADER</b> EXPAND YOUR TERRITORIES	<b>ESSENTIAL V2</b> ALL YOU NEED IS ME
	<p><b>FLUORESCENCE</b></p> <p>Massive specifications for the highest performance gel doc systems</p> <ul style="list-style-type: none"> <li>• Extreme 2 megapixel resolution</li> <li>• Massive 16-bit imaging for enhanced dynamics</li> <li>• Ideal for resolution demanding applications such as 1D quantification, 2D gel, bio-fluorescence</li> <li>• USB super-fast connection</li> <li>• 'One-touch' fully automated image acquisition programme</li> </ul>	<p><b>FLUORESCENCE</b></p> <p>The best lab standard</p> <ul style="list-style-type: none"> <li>• 1,4 megapixels</li> <li>• Sony CCD chip camera</li> <li>• Massive 16-bit imaging for enhanced dynamics</li> <li>• Ideal for documentation, publication and quantification</li> <li>• USB connection</li> <li>• 'One-touch' fully automated image acquisition programme</li> </ul>	<p><b>FLUORESCENCE</b></p> <p>The system which fits your budget</p> <ul style="list-style-type: none"> <li>• 1 megapixel / 12-bit imaging</li> <li>• Sony CCD chip camera</li> <li>• Capture, print and save at a glance</li> <li>• Ideal for publication and routine documentation</li> <li>• USB connection</li> </ul>
<b>Configuration</b>	D56 or D77 cabinet configuration available	D56 or D77 cabinet configuration available	D56 or D77 cabinet configuration available
<b>Camera &amp; optics</b>	<p>2 megapixels / 16-bit imaging (65 536 grey levels) Dynamic range: 4.8 OD Extreme sensitivity</p> <p>Scientific grade camera with electronically variable shutter speed. FireWire super fast connection 6 times optical zoom 2 binning modes available</p>	<p>1,4 megapixels / 16-bit imaging (65 536 grey levels) Dynamic range: 4.8 OD Extreme sensitivity</p> <p>Scientific Sony chip CCD camera with electronically variable shutter speed USB connection 6 times optical zoom 2 binning modes available</p>	<p>1 megapixel / 12-bit imaging Super high sensitivity</p> <p>Scientific Sony chip CCD camera</p> <p>USB connection 6 times optical zoom</p> <p>1 binning mode available</p>
<b>Software</b>	<p><b>Platinum 1D software</b></p> <p>'One-touch' fully automated image acquisition programme Image enhancement, annotation and illustration</p> <p>3 image analysis modules: - 1D molecular weight (MW, volume, intensity...) - Colony counting - Distance calculation (RF, IEF...)</p>	<p><b>FireReader 1D software</b></p> <p>'One-touch' fully automated image acquisition programme Image enhancement, annotation and illustration</p> <p>3 image analysis modules: - 1D molecular weight (MW, volume, intensity...) - Colony counting - Distance calculation (RF, IEF...)</p>	<p><b>Essential 1D software</b></p> <p>Image enhancement, annotation and illustration</p> <p>3 image analysis modules: - 1D molecular weight (MW, volume, intensity...) - Colony counting - Distance calculation (RF, IEF...)</p>
<b>Options</b>	<ul style="list-style-type: none"> <li>• UVI-Pure transilluminator</li> <li>• Single or dual wavelength</li> <li>• Manual or motorised zoom lens</li> <li>• Advanced UVI-Band or UVI-BandMap software.</li> </ul>	<ul style="list-style-type: none"> <li>• UVI-Pure transilluminator</li> <li>• Single or dual wavelength</li> <li>• Manual or motorised zoom lens</li> <li>• Advanced UVI-Band or UVI-BandMap software.</li> </ul>	<ul style="list-style-type: none"> <li>• UVI-Pure transilluminator</li> <li>• Single or dual wavelength</li> <li>• Manual or motorised zoom lens</li> <li>• Advanced UVI-Band or UVI-BandMap software.</li> </ul>

